



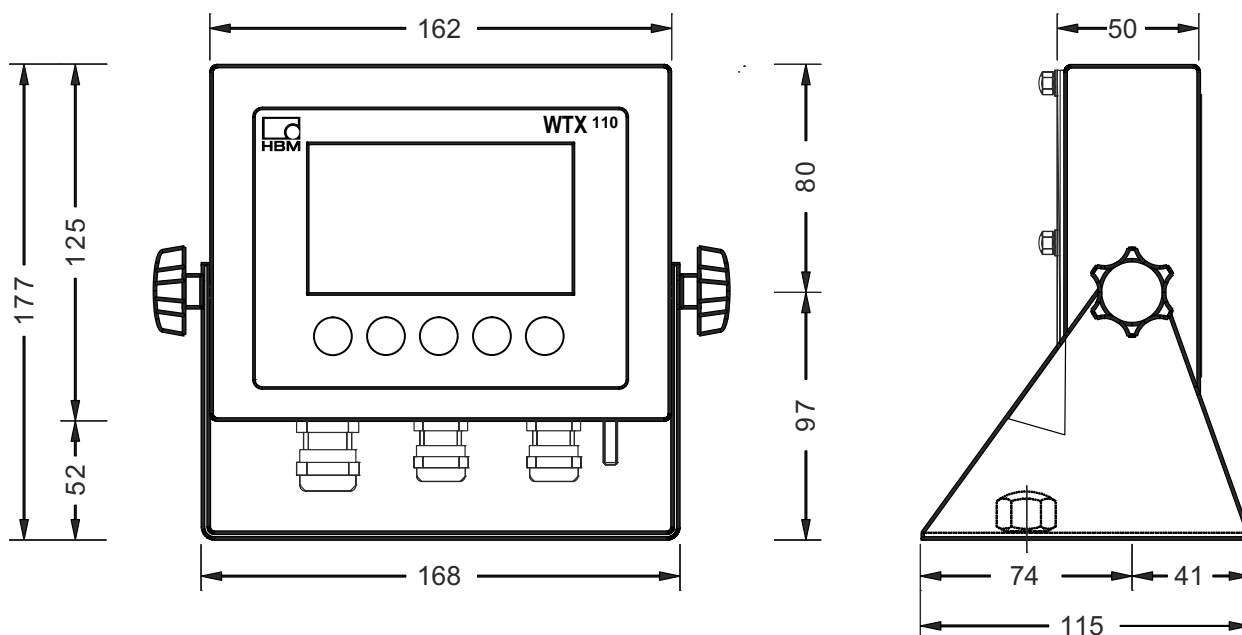
WTX110

Legal-for-trade industrial weighing terminal

Special features

- Up to 8 SG load cells can be connected (350 ohms)
- Stainless steel housing shapes for desktop and wall mounting or control cabinet installation
- High-resolution 4.3" color screen
- Convenient on-site configuration with softkey keyboard
- HBM PanelX software (Ethernet TCP/IP option required)
- Power supply 12...30 VDC or 110 V...240 VAC
- Degree of protection IP69K
- Optional interfaces include Ethernet-TCP/IP for PanelX, digital inputs and outputs, analog output, USB 2.0

Dimensions in mm (1 mm = 0.03937 inches)



Specifications for WTX110

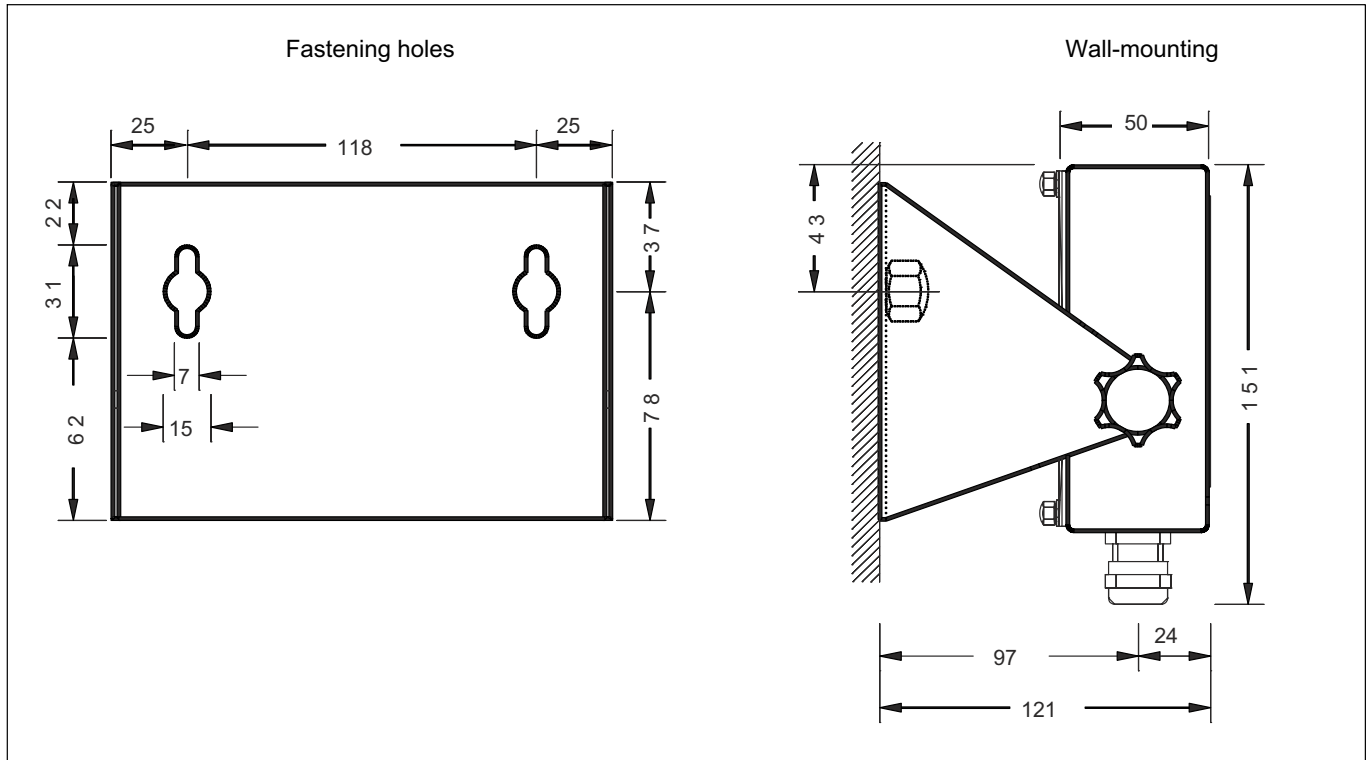
Type		WTX110
Load cell connection analog K-WTX110-A-***_**_***_**_***_**		
Industrial display resolution	d	30,000
Accuracy class as per OIML R76 (Class III and IIII)	d=e	10,000
Input sensitivity legal for trade	$\mu\text{V/e}$	0.33
Measuring range	mV/V	± 3
Load cell connection (short-circuit proof)		Six-wire and four-wire circuit
Max. number of load cells (short-circuit proof)	Ω	8 x 350
Excitation voltage of load cells (short-circuit proof)	V_{DC}	5
Internal sampling rate	1/sec.	50-800
Internal resolution	Divisions	524,000
Non-linearity of measuring range	%	0.018
Temperature coefficient of the zero signal per 10 K	%	0.003
Temperature coefficient of sensitivity per 10 K	%	0.006
Filters		Adjustable digital filter (low-pass)
Minimum transducer resistance	Ω	43
Multi-range		Yes, adjustable up to 3 ranges
Multi-interval		Yes, adjustable up to 3 ranges
Connected loads of DC power supply		
Supply voltage	V_{DC}	12 ... 30 (-15% +10%) protected against polarity reversal
Current consumption	A	1.3 ... 0.4
Connected loads of AC power supply		
Supply voltage	V_{AC}	110 V ... 240 V (-15 % +10 %)
System frequency	Hz	50 ... 60 Hz
Nominal (rated) current	A	0.25 ... 0.1
Power consumption		
Maximum power consumption (with 8 x 350-ohm load cells connected)	W	9
Maximum power consumption	W	14
Display		Active color TFT, 4,3" (11 cm), maximum resolution 480 x 272 display resolution of weight, weight unit, zero and movement cursor, error messages in plain text, English
Processor		32-bit ARM processor, 266MHz, Linux operating system
Keyboard		Membrane keypad with softkeys for zero balance, taring, printing weights, addition and special functions
Housing shapes		Wall/desktop housing Panel mounting
Degree of protection per EN 60529		Wall/desktop housing: IP69K Panel mounting: IP69K (front)
Material		
Material		Stainless steel
Weight, approx.	kg	1.5

Type		WTX110
Dimensions (WxHxD)	mm	Desktop housing: 168 x 177 x 115 Wall-mounted housing: 168 x 151 x 121 Panel mounting: 182 x 145 x 47 Panel frame cutout: 164 x 128
Temperature ranges		
Storage		-25°C to +70°C at 95% rel. humidity, non-condensing
Operation (industrial and legal for trade)		-10°C to +40°C at 95% rel. humidity, non-condensing
Standards		
Measurement accuracy		EN45501, OIML R76-1, R61-1, R51-1
Immunity to interference		EN 61326-1
Emission (EME)		EN 61326-1, EN55011, Class A, Group 1
Battery		Type CR2032
inputs and outputs/interfaces		
Digital inputs and outputs (optional)		Up to 3 digital inputs and 4 outputs per device variant. 24 VDC, 500 mA, short-circuit proof, optically isolated Note dependencies related to additional option!
Ethernet interface (optional)		Ethernet TCP/IP connection, e.g. PanelX and/or WTX mobile firmware update possible
USB (optional)		USB2.0; firmware update possible
Analog output (optional)	mA V	0-20, 4-20 0-10, 2-10 for gross or net weight; 15-bit resolution 30,000 increments, with possibility of adjustment
Serial interface to connection, for example to PC, printer, scanner or remote indication (optional)		RS232 RS485 (4-wire, non-isolated)
Alibi memory (optional)		For recording the last 1,000,000 weighing results
Mains connection plug for AC power supply with integrated power pack (depending on AC device version)		Europe, USA, UK, Australia, Switzerland, South Africa

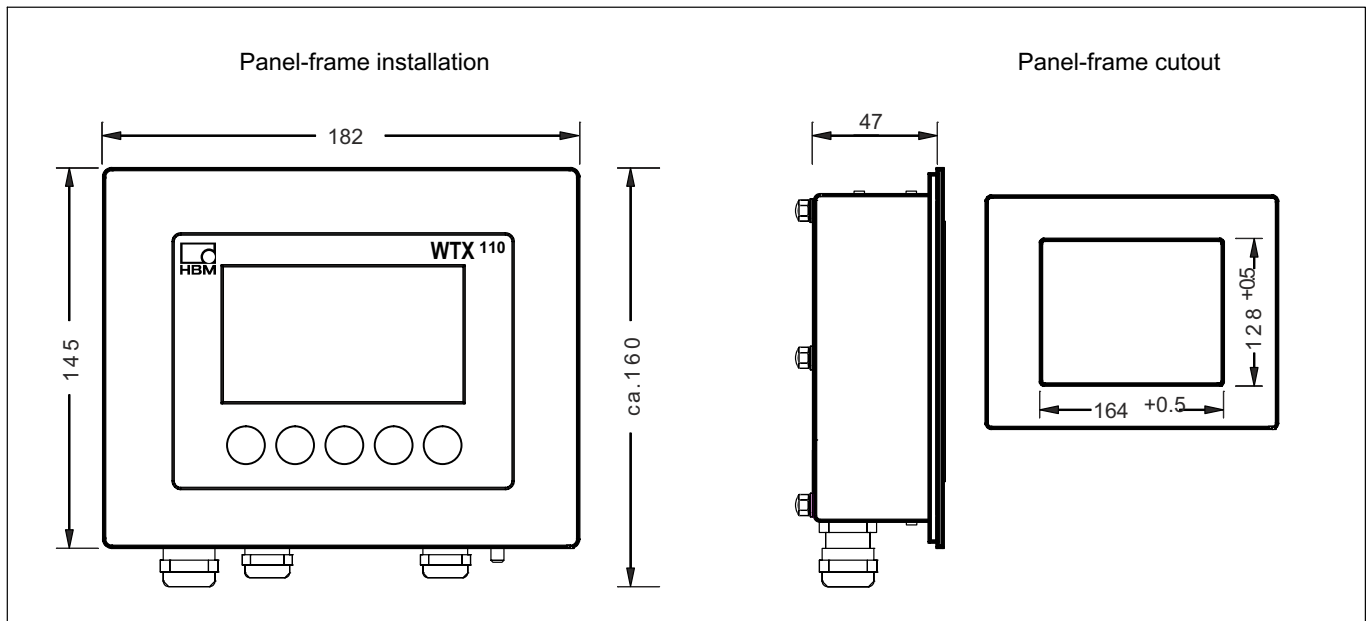
Accessories

Description	Ordering number
Connection cable for Ethernet connection	
Ethernet M12 to RJ45 connection cable, 5 m, gray	1-KAB2129-5
Ethernet M12 to RJ45 connection cable, 10 m, gray	1-KAB2129-10
Ethernet M12 to RJ45-connection cable, 5 m, 90° plug, gray	1-KAB2130-5
Ethernet M12 to RJ45-connection cable, 10 m, 90° plug, gray	1-KAB2130-10

Dimensions for wall-mounting



Control cabinet dimensions



Product numbers

K-WTX110..., optional versions

Ordering number
K-WTX110

Code	Option 1: Load cell connection
A	Analog SG load cells and SG sensors acc. to technical specification

Code	Option 2: Power supply
DC/	24 VDC
AC1	110-240 V AC plug Europe
AC2	110-240 V AC plug US
AC3	110-240 V AC plug UK
AC4	110-240 V AC plug Switzerland
AC5	110-240 V AC plug South Africa
AC6	110-240 V AC plug Australia
BA/	External battery 12-30VDC (battery not included)

Code	Option 3: Housing variant
CA	Control cabinet installation
TA	Desktop housing or wall-mounting

Code	Option 4: Communications interface
ETH	Ethernet TCP/IP e.g. for PanelX; firmware update
DIO	2 x Digital Out, 1 x Digital In
RS4	RS485 (4-wire)
RS2	RS232
USB	USB2.0; firmware update

Code	Option 5: Analog or digital IOs
NO	No
IO	2 x Digital Out, 2 x Digital In
AO	1 x analog output

Code	Option 6: Legal for trade data storage
NO/	No
ALI	Legal for trade data storage DSD

Code	Option 7: Firmware
AA	Standard HBM

K-WTX110 - **A** - **D C /** - **C A** - **E T H** - **N O** - **N O /** - **A A**

Subject to modifications.
All product descriptions are for general information
only. They are not to be understood as a guarantee
of quality or durability.

Hottinger Baldwin Messtechnik GmbH
Im Tiefen See 45 · 64293 Darmstadt · Germany
Tel. +49 6151 803-0 · Fax +49 6151 803-9100
Email: info@hbm.com · www.hbm.com

measure and predict with confidence

