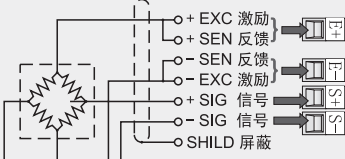
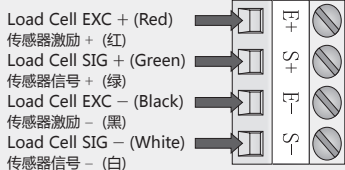


C&V Signal Amplifier



Schematic 接线方式

The wiring diagram is for four-wired load cell. If it is to be connected with six-wired load cell, do parallel the excitation wire and the sense wire. (图中为四线制传感器接线标识, 若所接的传感器为六线制的话必将激励与感应线并联连接)

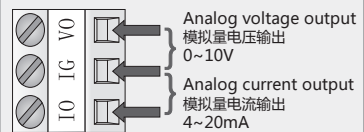
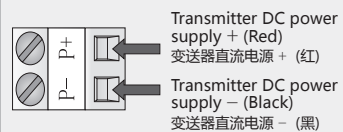


SIX-WIRED (六线制)

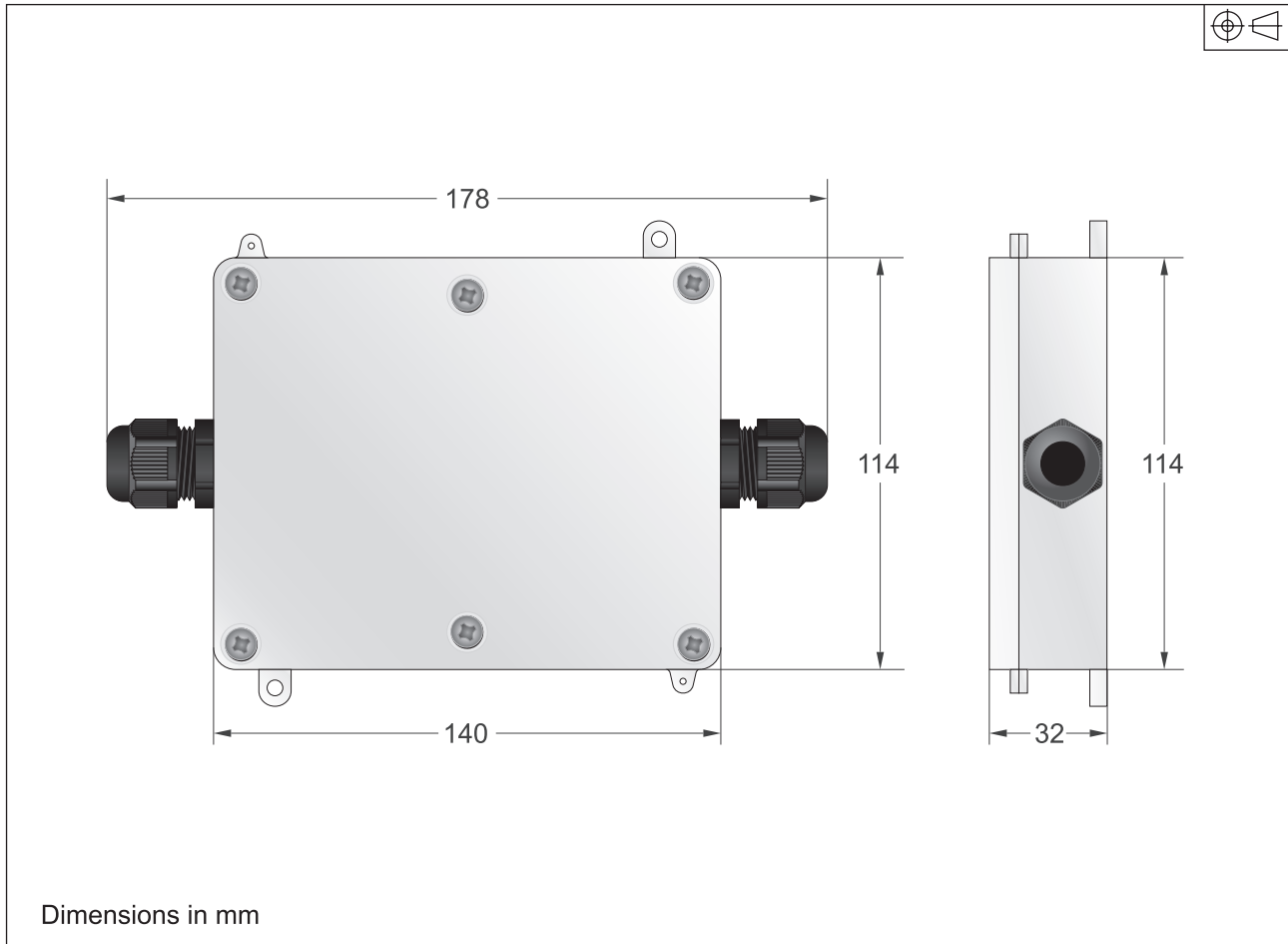
Zero Calibration (零点调整)
Turn clockwise (顺时针转动) : Up (升)
Turn anticlockwise (逆时针转动) : Down (降)
Make sure the load cell is at zero, adjust the potentiometer to make the output voltage 0 volt and the current 4 mA. (确定传感器在零点状态下, 调整零点电位器, 使输出电压在0V或输出电流在4mA)

Full-scale Calibration (SPAN量程调整)
Turn clockwise (顺时针转动) : Down (降)
Turn anticlockwise (逆时针转动) : Up (升)
Make sure the load cell is at the actual maximum value ($\geq 10\text{mV}$), adjust the SPAN potentiometer to make the output voltage 10 volt and the current 20 mA. (确定传感器在目标载荷($\geq 10\text{mV}$)状态下, 调整SPAN电位器, 使输出电压在10V或输出电流在20mA)

Best supply voltage range (供电电压最佳范围)
15VDC~30VDC



There are two ways for analog output, in which the IG is the common ground terminal. Only choose one way in using. (模拟量输出有两路格式, 其中IG为公共接地端, 使用时只可选择一路)

Dimensions 尺寸

Specification 技术参数

Input Signal on full-scale	满量程输入信号	30 mV
Minimum Sensitivity	最小灵敏度	0.4 μ V per division
Input Impedance	输入阻抗	30 M ohm
Resolution	解析度	1/4096
System Linearity	系统线性度	0.02%
L/C Excitation Voltage	传感器激励电压	+10V DC, 4 X 350 Ω load cell
Output Voltage	电压输出	0 ~ 10V DC
Current Output	电流输出	4 ~ 20 mA
Standard Voltage	标配电压	220V AC, 50/60 HZ
Current Adapter	交流适配器	12V DC, 800mA
Best Voltage Range	最佳电压范围	15V DC ~ 30V DC
Operating Temperature	工作温度	-10°C to + 40°C
Storage Temperature	储存温度	-25°C to + 70°C
Load Resistance	负载电阻	250 Ω (used by 4~20 mA output / 4~20mA输出用)
Calibration Mode	调校标定方式	Potentiometer adjustment at zero and full-scale 零点和满量程电位器调整
Dimensions	外观尺寸	178mm X 114mm X 32mm